

UNI 8™ OVERHEAD

UNI 8™ OVERHEAD FALL PROTECTION SYSTEM

uni  8 overhead



THE ULTIMATE IN FALL PROTECTION

CONTENTS

Product Overview	3	System Components	7
Features & Benefits	3	Component Compatibility	10
Applications Overview	4	Recommended DBI-SALA® Accessories	11
Installation Examples	5	Why choose Capital Safety?	12
Working Safely at Height	6	For more information about our range of equipment visit our website at www.capitalsafety.com	

COMPLETE FREEDOM OF MOVEMENT



PRODUCT OVERVIEW

The Uni 8™ evolution™ overhead system comprises of an 8mm Stainless Steel cable permanently installed horizontal lifeline. It is suitable for any application where a user needs to move in a continuous line (straight and round corners) provided suitable anchorage points are available overhead to connect to either ends of the line.

In 2011 Capital Safety acquired Uniline® Safety Systems and the Uni 8™ Overhead horizontal lifeline was added to its range. This system has now been combined with the DBI-SALA® evolution™

system to bring together two established and well respected horizontal lifelines whilst maintaining all the features and benefit of both systems.

FEATURES AND BENEFITS

- The Uni 8™ overhead traveller passes freely over intermediate brackets ensuring complete freedom of travel and therefore movement for the user
- Sealed bearings in the carriage wheels of the Uni 8™ overhead traveller reduce the need for maintenance
- The Uni 8™ evolution™ Traveller can be used as an alternative traveller for systems with corners or where there is a requirement to remove the traveller from the lifeline when not in use
- Curved overhead brackets for installation of a lifeline around a corner for use with the Uni 8™ evolution™ Traveller
- High tensioned stainless steel cable supports heavy fall arrest devices when required and reduces cable deflections
- In line energy absorbers reduce load transfer to the structure in the event of a fall
- Available as a single or multi-span system for distances longer than 30m
- Strong intermediate cable supports allow the system to span greater distances for long bay work areas and permit free passage of the traveller
- Electro-polished Stainless Steel (316) components provide long-term corrosion resistance**
- Supports multiple workers up to 140kg (310 lbs) each
- Tested to EN795 class C and meets the requirements of AS/NZS 1891.2, is OSHA compliant

** some aggressive environments can cause corrosion and discolouration of stainless steel



BEST FOR INDUSTRIAL APPLICATIONS WHERE THE ANCHORAGE POINT IS ABOVE THE USERS' HEAD



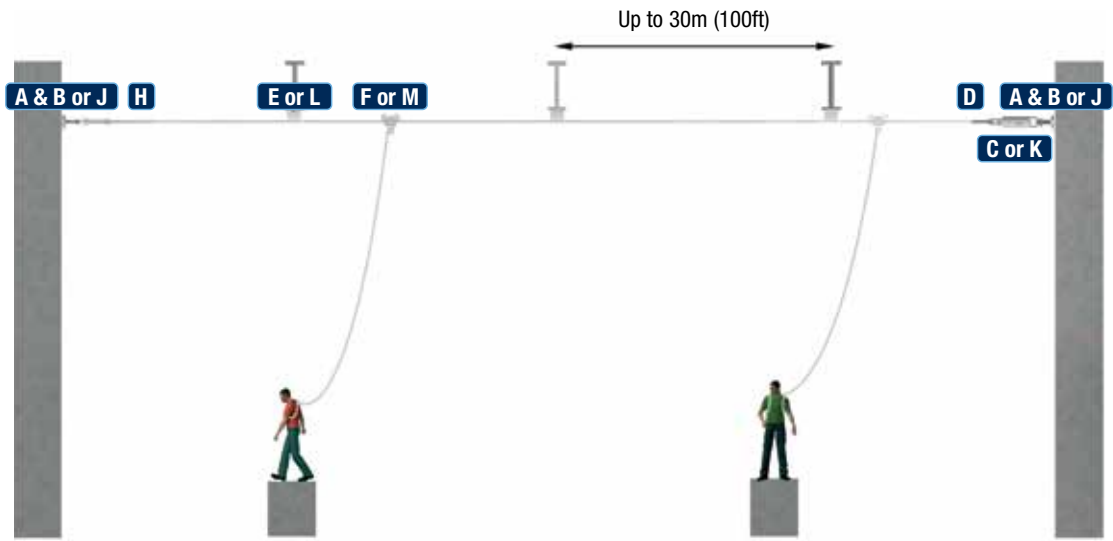
APPLICATIONS OVERVIEW

The Uni 8™ Overhead fall protection system was primarily developed to meet the needs of transport and industrial customers including lorries, trains and aircraft, crane walkways and loading bays.

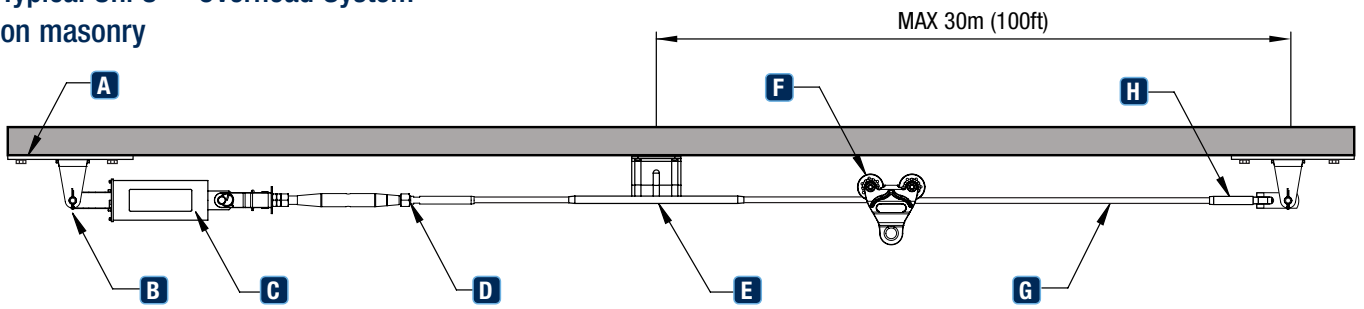
The system has also solved access and safety problems in the entertainment and arena industry. This quality safety solution can support heavy fall arrest and controlled rate descent devices, and ensures free and unhindered movement for the worker when carrying out work at height.

Uni 8™ Overhead resolves functionality issues that would be experienced by using a standard horizontal lifeline for such applications and mitigates the difficulties associated with solving fall protection problems in conditions that can often be challenging.

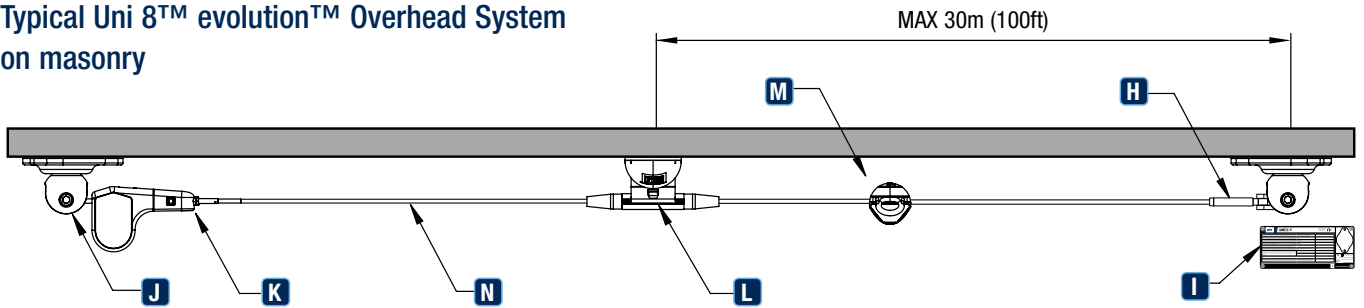
INSTALLATION EXAMPLES



Typical Uni 8™ Overhead System on masonry



Typical Uni 8™ evolution™ Overhead System on masonry



A Uni 8™ Wall Fixing Plate	7234021	I Uni 8™ System Tag	7241257
B Uni 8™ Straight Eye	7240122	J Uni 8™ evolution™ Triple Articulated Attachment Anchorage	7240175
C Uni 8™ Energy Absorber	7241073	K Uni 8™ evolution™ Energy absorber	7240151
D Uni 8™ Tensioner 5kN	7240109	L Uni 8™ evolution™ Overhead Intermediate	7240118
E Uni 8™ Overhead Bracket	7241067	M Uni 8™ evolution™ Traveller	7240100
F Uni 8™ Overhead Traveller	7241074	N 8mm, 7 x 7 Stainless Cable	7240211
G 8mm, 1 x 19 Stainless steel Cable	7240212		
H 8mm Hex Swage Toggle	7234011		



WORKING SAFELY AT HEIGHT

One of the main causes of deaths and injuries at work is falling from height. When working at height is unavoidable and other means of protection are not possible, many rely on horizontal fall arrest systems.

The user attaches to the Horizontal Life Line (HLL) system via Personal Protection Equipment such as a harness and an energy absorbing lanyard or self retracting lifeline. Uni 8™ overhead is ideal for protecting operatives carrying out a task at height over long distances as it provides continuous protection whilst the operatives are able to carry out their work uninterrupted.

It is advised that, where possible, the HLL system should be used for fall restraint as this stops the user being exposed to the fall hazard therefore reducing the risk.

Uni 8™ Overhead systems are typically installed by competent personnel who have been fully trained and authorised, and are supported by inspections every 12 months to ensure system integrity.

SYSTEM COMPONENTS TRAVELLERS

Uni 8™ evolution™ Traveller



	○	kN	kg
7240100	(A) (SS) (P)	15	0.6

Uni 8™ Overhead Traveller



	○	kN	kg
7241074	(SS)	16	0.70

SYSTEM COMPONENTS END FIXINGS

Uni 8™ 0.8kN Tensioner



	○	kN	kg
7240166	(SS)	38	0.8

Uni 8™ 5kN Tensioner



	○	kN	kg
7240109	(SS)	38	0.8

Uni 8™ 8mm Hex Swage Toggle



	○	kN	kg
7234011	(SS)	38	0.2

Uni 8™ 8mm Hex Joiner



	○	kN	kg
7234012	(SS)	38	0.10

KEY: (A) Material: Aluminium (P) Material: Polyurethane kg Weight (kg)
 (SS) Material: Stainless Steel kN Breaking Strength (kN)

UNI 8™ OVERHEAD

SYSTEM COMPONENTS END FIXINGS

Uni 8™ Wall Fixing Plate



	○	kN	kg
7234021	SS	50	1.80

Uni 8™ Straight Eye



	○	kN	kg
7240122	SS	>45	0.40

Uni 8™ evolution™ High Capacity Energy Absorber



	○	kN	kg
7240151	SS P	37	5.20

Uni 8™ Energy Absorber



	○	kN	kg
7241073	SS	38	1.10

Uni 8™ evolution™ Mono Attachment Anchorage



	○	kN	kg
7240176	SS	30	0.70

Uni 8™ evolution™ Triple Articulated Anchorage Point



	○	kN	kg
7240175	SS	37	1.60

SYSTEM COMPONENTS BRACKETS

Uni 8™ Overhead Bracket



	○	▣ kN	⚖ kg
7241067	Ⓢ	>16	0.40

Uni 8™ evolution™ Overhead Short Curve



	○	▣ kN	⚖ kg
7240127	Ⓢ Ⓟ	30	0.40

Uni 8™ evolution™ Overhead Intermediate



	○	▣ kN	⚖ kg
7240118	Ⓢ Ⓟ	25	0.2

Uni 8™ evolution™ Overhead Curve



	○	▣ kN	⚖ kg
7240137	Ⓢ Ⓟ	30	0.7

SYSTEM COMPONENTS CABLE

8mm, 7 x 7 Stainless Steel Cable



	○	▣ kN	⚖ kg
7240211	Ⓢ	38.7	0.2 per m

8mm, 1 x 19 Stainless Steel Cable



	○	▣ kN	⚖ kg
7240212	Ⓢ	45.5	0.3 per m

COMPONENT COMPATIBILITY

In the Uni 8™ Overhead system there are two Traveller options to suit different applications. The table below shows the suggested components for a Curved Low tensioned system or Straight High Tensioned system. Full details of component compatibility can be found in the Uni 8™ Overhead technical manual.

			Curved System	Straight System
				
			Uni 8™ evolution™ Traveller 7240100	Uni 8™ Overhead Traveller 7241074
Uni 8™ Tensioner		7240166	✓	✗
Uni 8™ 5kN Tensioner		7240109	✗	✓
Uni 8™ Overhead Intermediate Bracket		7241067	✓	✓
Uni 8™ evolution™ Overhead Intermediate		7240118	✓	✗
Uni 8™ evolution™ Overhead Curve		7240137	✓	✗
Uni 8™ evolution™ Overhead Short Curve		7240127	✓	✗
Uni 8™ evolution™ Energy Absorber		7240151	✓	✗
Uni 8™ Energy Absorber		7241073	✓	✓
Uni 8™ evolution™ Triple Articulated Anchorage Point		7240175	✓	✗
Uni 8™ evolution™ Mono Attachment Anchorage		7240176	✓	✗
8mm, 7 x 7 Stainless Steel Cable		7240211	✓	✗
8mm, 1 x 19 Stainless Steel Cable		7240212	✗	✓

RECOMMENDED DBI-SALA® ACCESSORIES



Zorba™ Webbing Lanyard (KE5175W)
and Self Lock Twist Lock Carabiner (AJ514)



Delta™ Harness
(1112915)



Ultra-Lok™ SRL 9m
(3504426)

SELF RETRACTING LIFELINES

Self retracting lifelines or retractable fall arrest blocks as they are also known, are also suitable for use in conjunction with the Uni 8™ Overhead System. In the event of a fall the device will lock off, arresting the workers fall and controlling the forces that go into the system and the workers body to a safe limit.



Only devices approved by DBI-SALA® should be used on the Uni 8™ Overhead System. This ensures the safety of your workforce, as many devices are not tested in conjunction with cable fall protection systems.

Your system integrator will advise you further on your equipment selection, including harnesses and training for your personnel for working safely at height.

EUROPE, MIDDLE EAST & AFRICA

France

Le Broc Center
Z.I. 1re Avenue – BP15
06511 Carros Le Broc Cedex
FRANCE

t: +33 (0)4 97 10 00 10
f: +33 (0)4 93 08 79 70

United Kingdom

5a Merse Road
North Moons Moat
Redditch, Worcestershire
B98 9HL UK

t: +44 (0) 1527 548 000
f: +44 (0) 1527 591 000

Dubai

ME Branch Office
PO Box 17789
JAFZA, Dubai – U.A.E

t: 00 800 999 55500
f: +33 (0)4 93 08 79 70

Germany

Hagener Strasse 44, D-57489,
Drolshagen,
Germany

t: +49 (0) 2 76 18 33 82 29
f: +33 (0)4 93 08 79 70

CUSTOMER SERVICES

☎ 00 800 999 55500

information@capitalsafety.com
www.capitalsafety.com

WHY CHOOSE CAPITAL SAFETY?

Capital Safety has over 60 years of experience developing, selling, and supporting fall protection systems around the world with the widest range of products on the market today. In 2011 we acquired Uniline® Safety Systems further extending our horizontal lifeline product family and adding additional technical expertise to support our customers.

Our dedicated team of Technical Support Advisors are backed by a design team of more than 20 Engineers who can advise on risk assessments, best working practices and the choice of appropriate personal protective equipment for each application. Through this team, we support our extensive network of independent Certified Installers with services ranging from application reviews, overall system design consultation, CAD drawing assistance and system engineering calculations to ensure project designs are optimized.

Our professional and highly skilled team of instructors deliver a full range of training courses supporting all DBI-SALA® Horizontal Engineered Systems including both cable and rail based product lines. These courses are designed to fully train our Certified Installers in best practices for proper system design, engineering calculation techniques and installation methods.

All DBI-SALA® products are certified to the relevant standard for each product type and installation locations. These certifications have been carried out in conjunction with leading Notified Bodies such as SATRA, DEKRA EXAM GmbH, APAVE SUDEUROPE SAS and TUV NEL Ltd. Our technical team also participate on many of the official Standards Committees who are working to continuously refine and improve the Standards we rely on to improve worker safety.

Capital Safety's Engineering Teams are located in our facilities in Redditch UK, Banska Bystrica Slovakia, Sydney Australia and Red Wing Minnesota USA where they have access to state-of-the-art test facilities capable of performing testing that goes above and beyond current Standards requirements.

Capital Safety is working every day to provide the right solutions, safest products and most extensive services to "Ensure that every worker at height returns home safely".

All rights reserved. The material contained herein is copyrighted; no part of this publication may be reproduced, stored in a retrieval system, or transmitted, in any form or by any means, electronic, mechanical, photocopying, recording or otherwise without prior written permission from Capital Safety.

