

# Söll PivotLoc foldable ladder system

## Principle:

The ladders can be opened or folded closed. When the ladder is closed, it has a slim and unobtrusive profile. When open, the result is a high-quality ladder with Miller® fall protection. The foldable ladder system prevents unauthorised use of the system in the same way as the cover plate.

## Söll PivotLoc:

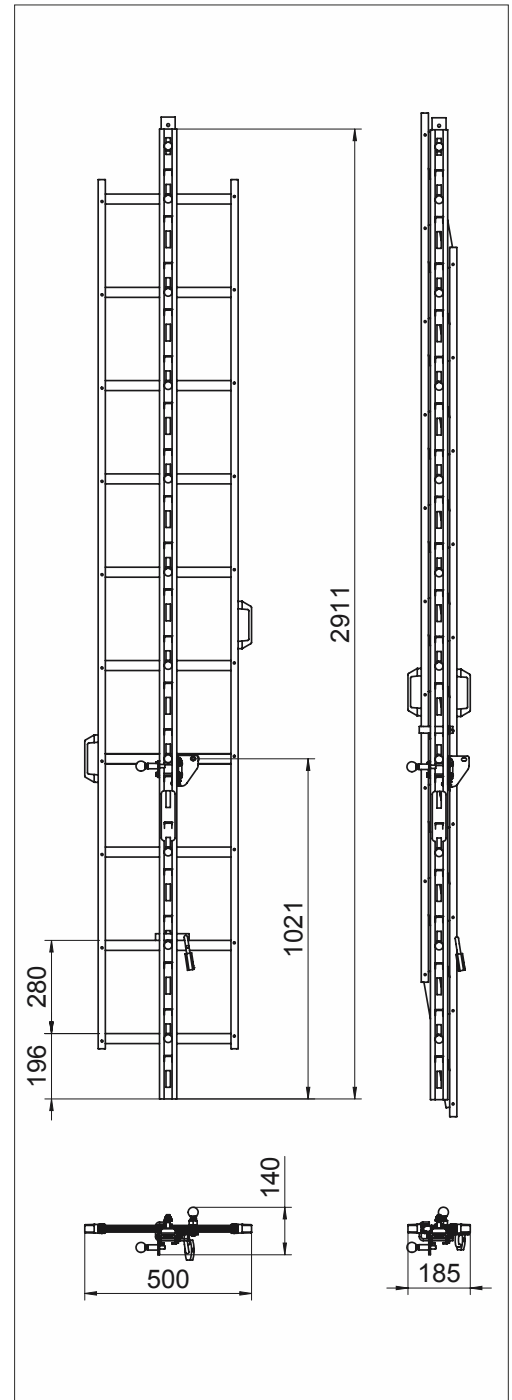
- Length 2,800 mm
- Width 500 mm
- Width when closed 195 mm
- Rung distance 80 mm
- It must be locked open or shut with the padlock
- The brackets must be fixed on the pivot points of the rungs
- The foldable ladder can be used combined with all type of ladders
- The ladder is complete with arresting device, end-stop, recess, connector and side handles
- The system also includes a stainless steel clamp that is used to insert a padlock

## Connection to aluminium ladders

Material: Anodised aluminium  
Weight: 12.0 kg/each  
Part no. 23193

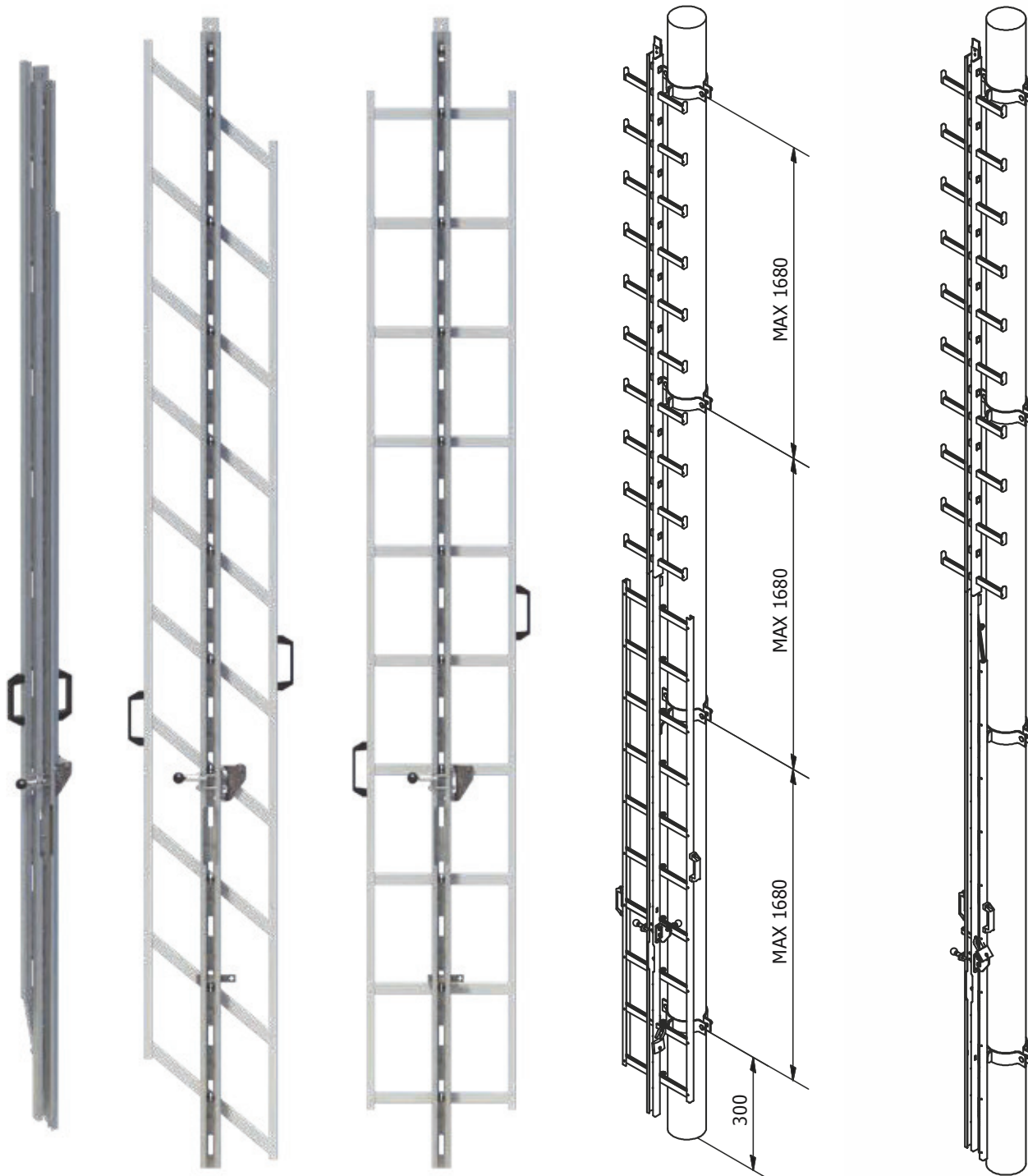
## Connection to steel ladders

Material: Anodised aluminium  
Weight: 12.0 kg/each  
Part no. 23281  
(not shown)



Subject to technical change. Please follow our maintenance and fitting instructions.

## Planning aid for Söll PivotLoc foldable ladder system as an alternative to the cover plate

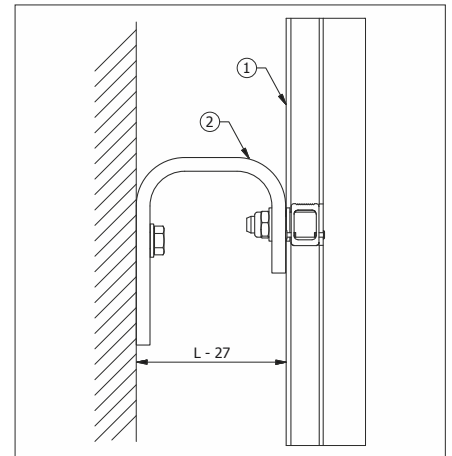
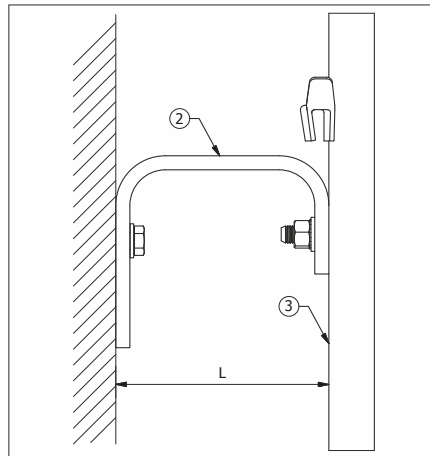


Subject to technical change. Please follow our maintenance and fitting instructions.

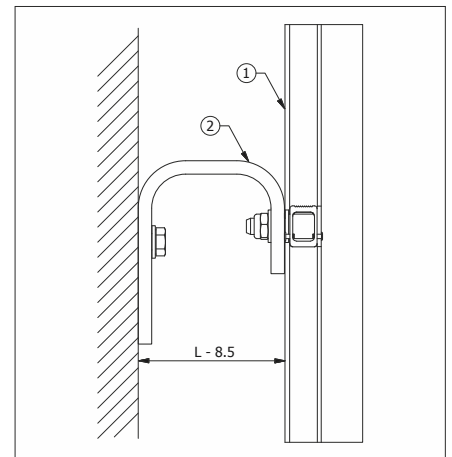
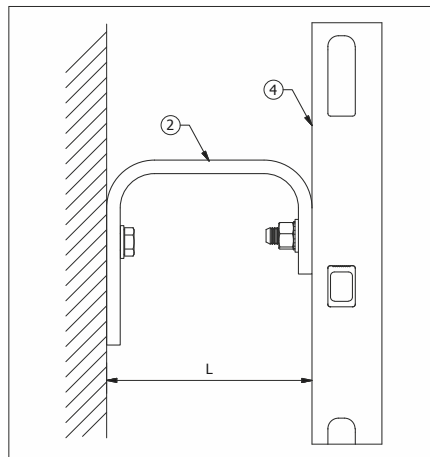
# Söll PivotLoc foldable ladder system

## Projection of the mounting brackets

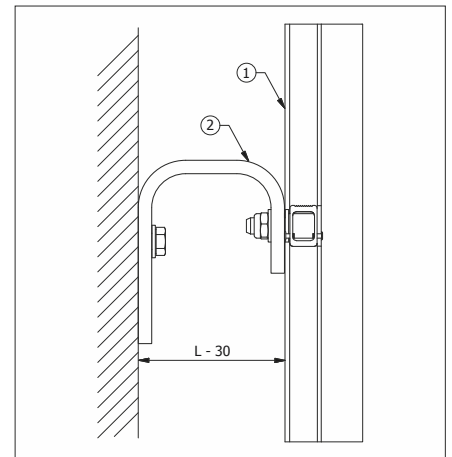
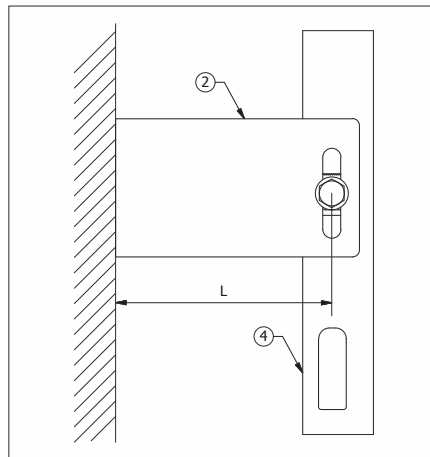
When using the PivotLoc foldable ladder system (1) combined with the steel ladder (3), the projection 'L' of the mounting brackets (2) for the foldable ladder must be 27 mm shorter.



When using the PivotLoc foldable ladder system (1) combined with the aluminium ladder (4) (mounting through back), the projection 'L' of the mounting brackets (2) for the foldable ladder must be 8.5 mm shorter.



When using the PivotLoc foldable ladder system (1) combined with the aluminium ladder (4) (mounting through catch bar), the projection 'L' of the mounting brackets (2) for the foldable ladder must be 30 mm shorter.



Subject to technical change. Please follow our maintenance and fitting instructions.

# Söll PivotLoc foldable ladder system

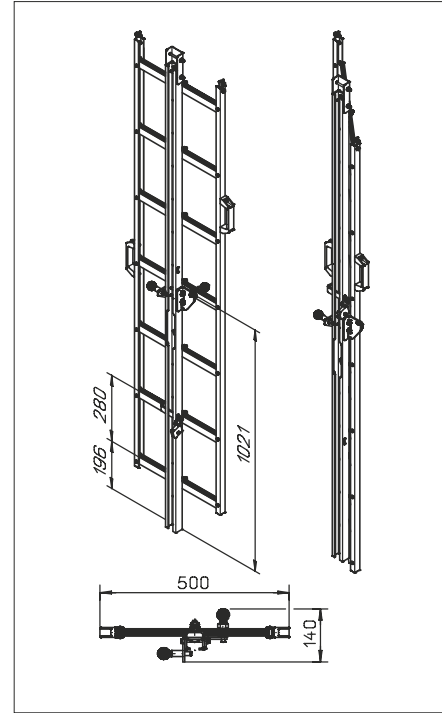
## Design principle:

The ladders can be opened or folded closed. When the ladder is closed, it has a slim and unobtrusive profile. When open, the result is a high-quality ladder with Miller® fall protection. The foldable ladder system prevents unauthorised use of the system.

## Söll PivotLoc, 1st ladder section:

- Profile 5 x 33 mm
- With arresting device, end-stop, recess, connector and side handles
- Mounting distance: Recommended 1,400 mm – max. 1,680 mm
- The brackets must be fixed on the pivot points of the rungs
- Max. section length 4,480 mm
- Rung distance 80 mm
- The system also includes a stainless steel clamp that is used to insert a padlock

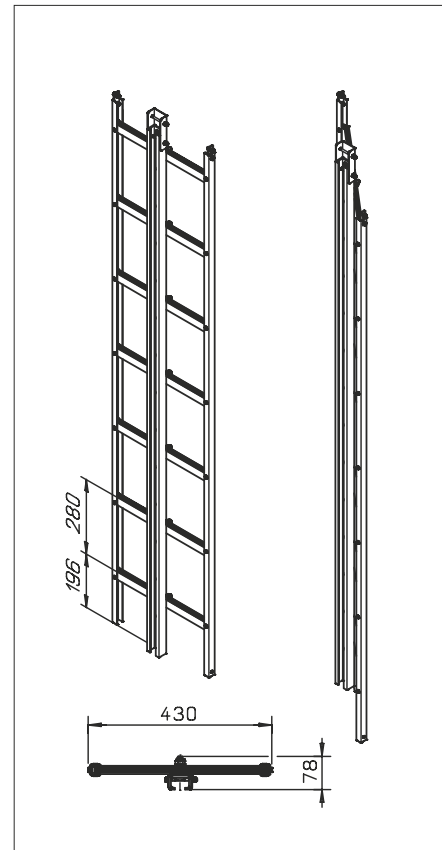
Material: Anodised aluminium  
Weight: Approx. 4.0 kg/m  
Part no. **ZALKLAPP-<ladder length in mm>-A**



## Söll PivotLoc, extension section:

- Profile 5 x 33 mm
- With connector
- Recommended mounting distance: 1,400 mm – max. 1,680 mm
- The brackets must be fixed on the pivot points of the rungs
- Manufacturing length max. 4,480 mm
- Rung distance 80 mm

Material: Anodised aluminium  
Weight: 4.0 kg/m  
Part no. **ZALKLAPP-<ladder length in mm>**



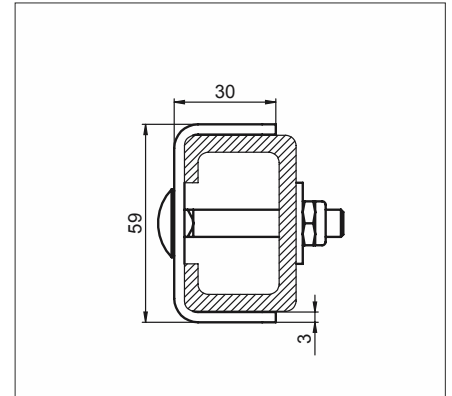
Subject to technical change. Please follow our maintenance and fitting instructions.

# Söll PivotLoc foldable ladder system Accessories

## Rigid end-stop

- Prevents the fall arrester from being taken out of the top of the foldable ladder
- Complete with all mounting elements

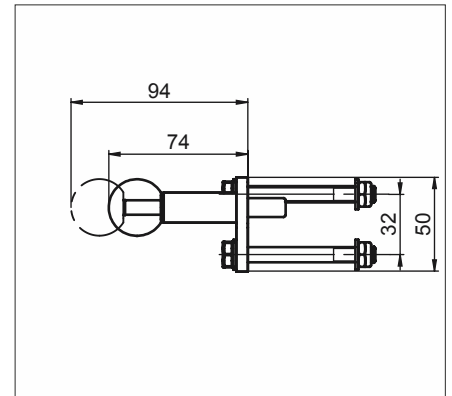
Material: Stainless steel,  
pickled  
Weight: 0.1 kg/each  
Part no. **23205**



## End-stop for foldable ladder system

- Prevents the fall arrester from either being inserted incorrectly or accidentally slipping out of the guide rail
- Complete with all mounting elements
- Suitable for top and bottom use

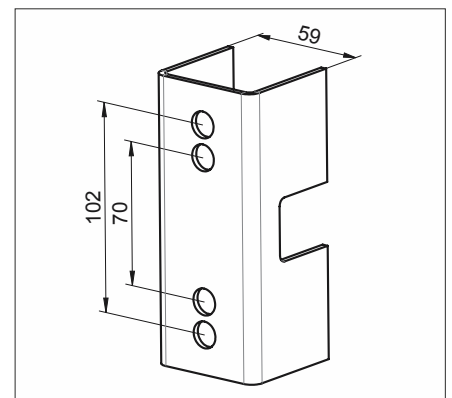
Material: Stainless steel,  
pickled  
Weight: 0.2 kg/each  
Part no. **27138**



## Assembly aid

- To arrest the extension section during assembly

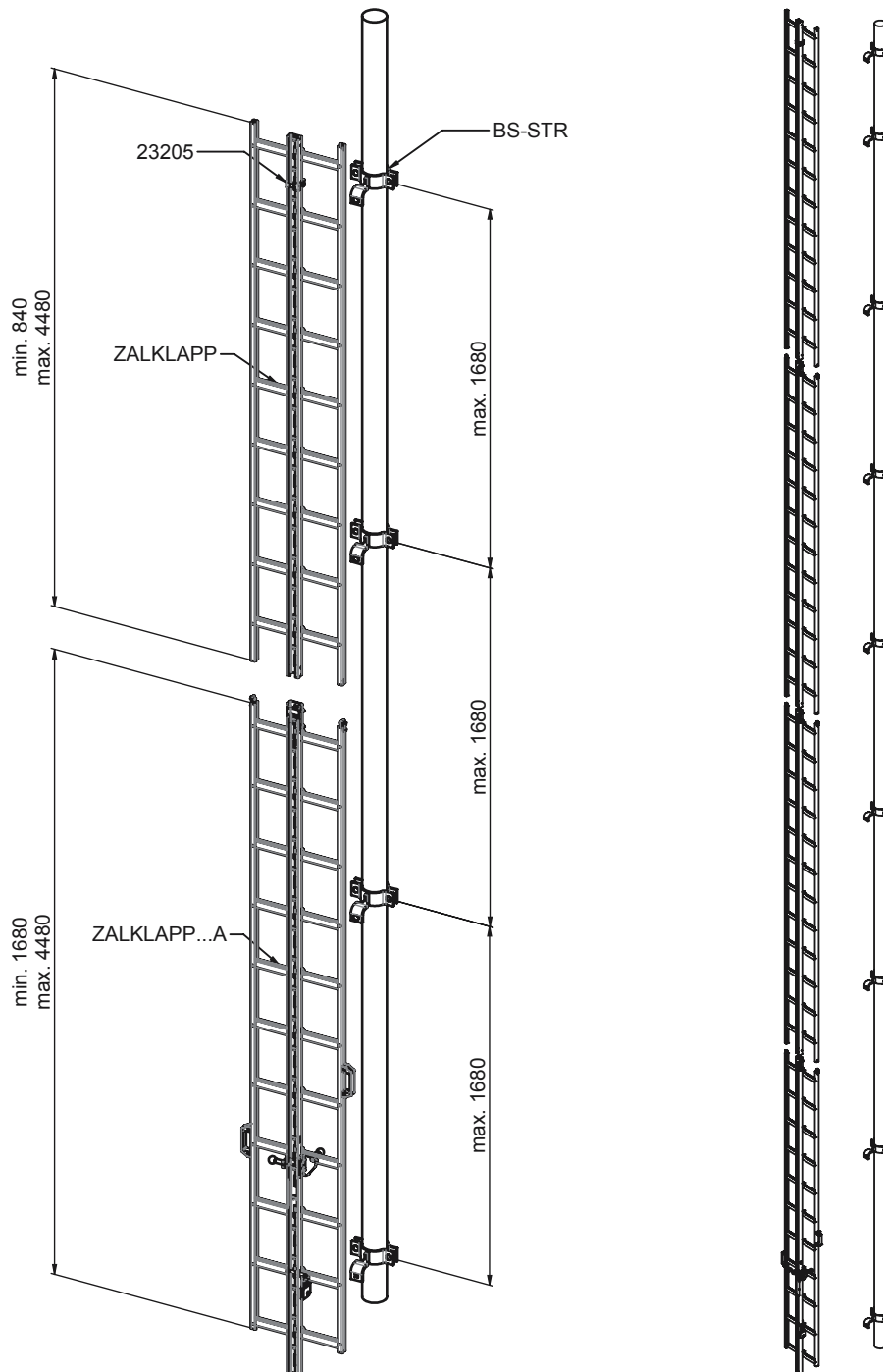
Material: Steel,  
hot-dip galvanised  
Weight: 0.6 kg/each  
Part no. **23206**



Subject to technical change. Please follow our maintenance and fitting instructions.

## Planning aid for foldable ladder system Söll PivotLoc (multi-section)

The maximum possible total length is 8.0 m.  
For longer climbways, the ladders must be divided in  
order to ensure easy opening.



Subject to technical change. Please follow our maintenance and fitting instructions.